

AUDIBLE ALARMS



CURTIS

MULTI-VOLTAGE AUDIBLE ALARM



BENEFITS

- Easy to fit, 2 wire connection
- Multi-Voltage, no need to tap batteries or fit DC/DC converters
- Protected against wrong polarity
- Optional auto-adjust sound level
- Steam cleanable
- High sound level
- Low cost
- Ex-stock availability
- Compact and light
- Environmentally protected
- Can be wired to sound when the vehicle is in reverse or used to warn of any movement.

APPLICATION

The Curtis Multi-Voltage Audible Alarms are designed to protect people working in close proximity to material handling equipment and other types of mobile plant and vehicles.

DESCRIPTION

Curtis, a world leader in the supply of battery state of charger indicators, offers a range of Multi-Voltage Audible Alarms, suitable for use on fork trucks, tow tractors, electric vehicles, construction equipment and road vehicles.

OPTIONS

- 97 dB Audible alarm to cover all voltages from 12 to 48 vdc.
- 87 dB Audible alarm to cover all voltages from 12 to 72 vdc.
- Auto adjustable Audible alarm with 82 dB to 107 dB, sound levels dependant upon ambient noise level. Covers all voltages from 12 to 48 vdc.

CURTIS INSTRUMENTS, (UK) LTD.

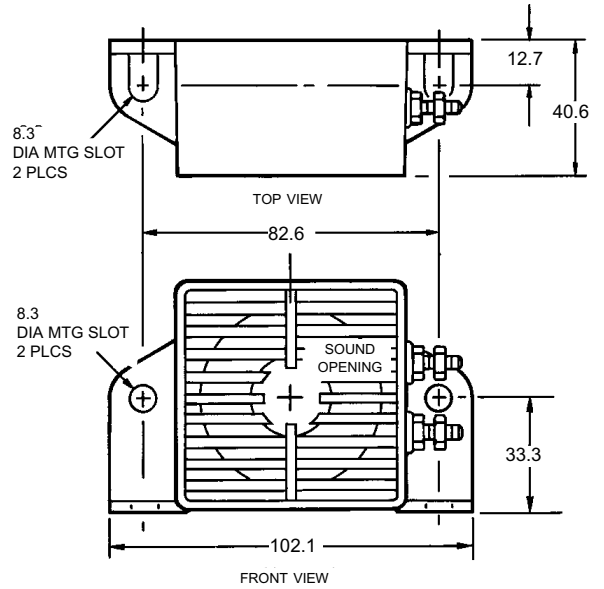
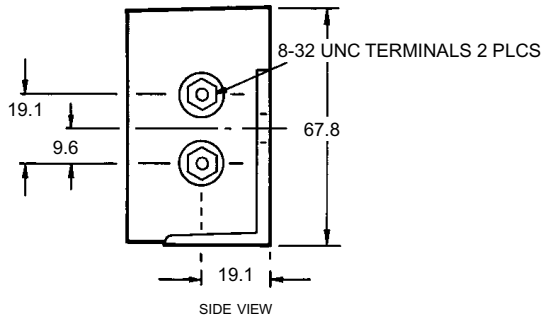
5 UPPER PRIORY STREET
NORTHAMPTON NN1 2PT, ENGLAND
TEL 44 (0) 1604-629755
FAX 44 (0) 1604-629876

www.curtisinst.co.uk • e-mail@curtisinst.co.uk

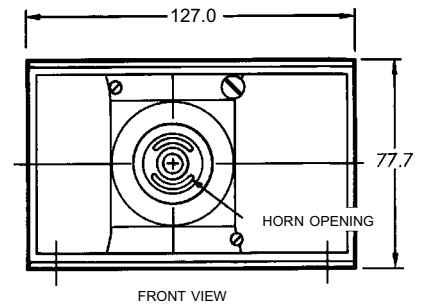
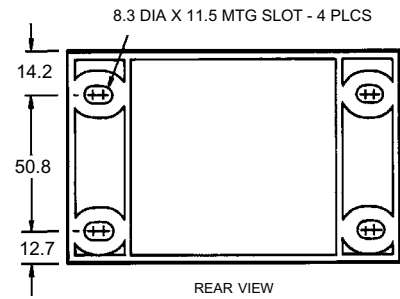
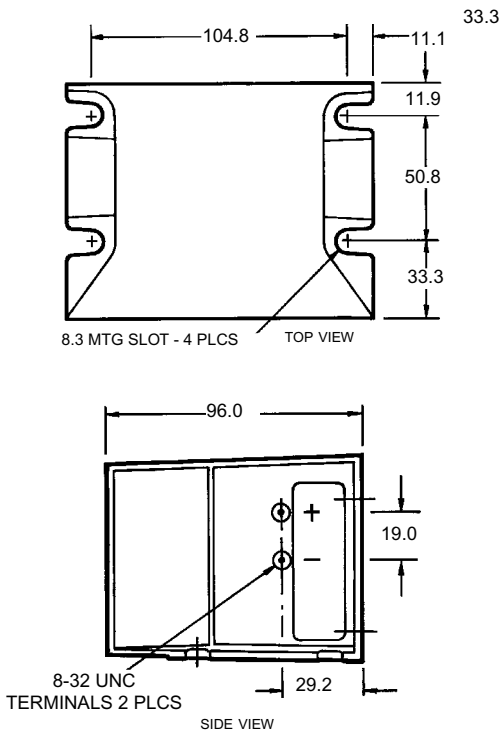
MULTI-VOLTAGE AUDIBLE ALARM

DIMENSIONS:

12 - 48 VDC & 12 - 72 VDC Audible Alarm



12 - 48 VDC Auto Adjust Audible Alarm



MULTI-VOLTAGE AUDIBLE ALARM

SPECIFICATIONS

	12-48 VDC Audible Alarm AA 483-095	12-72VDC Audible Alarm AA 483-096	12-48VDC Auto Adjust Audible Alarm AA 483-097
UK Ref No:	17208001	17208002	17208004
Dimensions (including fixing brackets):	L=102.1mm x W=40.6mm x H=67.8mm	L=102.1mm x W=40.6mm x H=67.8mm	L=127mm x W= 96mm x H = 77.7mm
Weight :	255 gms	255 gms	650 gms
Sound Level (+/-4dB(A) -):	97dB	87dB	82dB – 107dB
Sound Cycle :	80 pulses per minute	80 pulses per minute	80 pulses per minute
Frequency :	1350Hz (typical)	1350Hz (typical)	1100Hz (typical)
Voltage Range:	12-48 VDC	12-72 VDC	12-48 VDC
Spike Protection :	+100/-400 volts	+250/-400 volts	+100/-400 volts
Maximum Current :	0.2 amps	0.2 amps	0.25 amps
Polarity Protected :	Yes	Yes	Yes
Temperature Range:	-40°C - +77°C	-40°C - +77°C	-40°C -+77°C
Steam Cleanable :	Yes	Yes	Yes
Housing Material :	30% Glass reinforced nylon	30% Glass reinforced nylon	30% Glass reinforced nylon
SAE J994 Type:	C	D	A-D

WARRANTY Five year limited warranty from time of delivery.



CURTIS is a registered trademark of Curtis Instruments, Inc.